

Note: These drawings just show battens, valleys and tiles
 1. Care must be taken not to nail through the valley lining.
 2. An extra precaution is taken by bending the edges of the cut tiles down into the valley.

Bending and Cutting Equipment

The following is a list of tools that would provide the roofer with a complete tool kit:

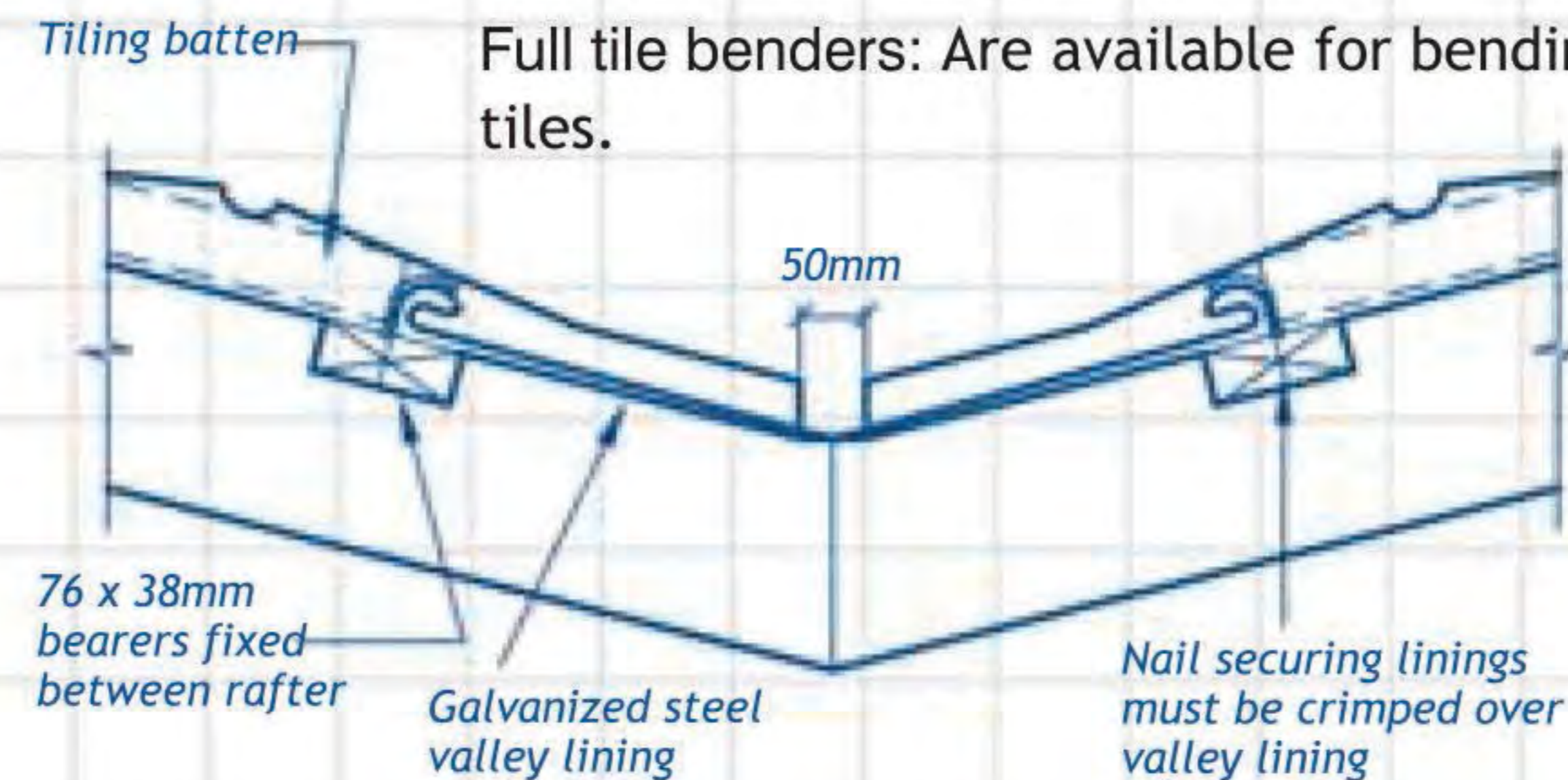
- Claw and Ball Hammer
- Builder's Line
- Measuring Tape
- Pop Rivet Gun
- Nail Pouch
- Chalk Line
- Saw
- Metal Shears or Tin Snips
- Hand Benders
- Angle Grinder

Cutting Tools

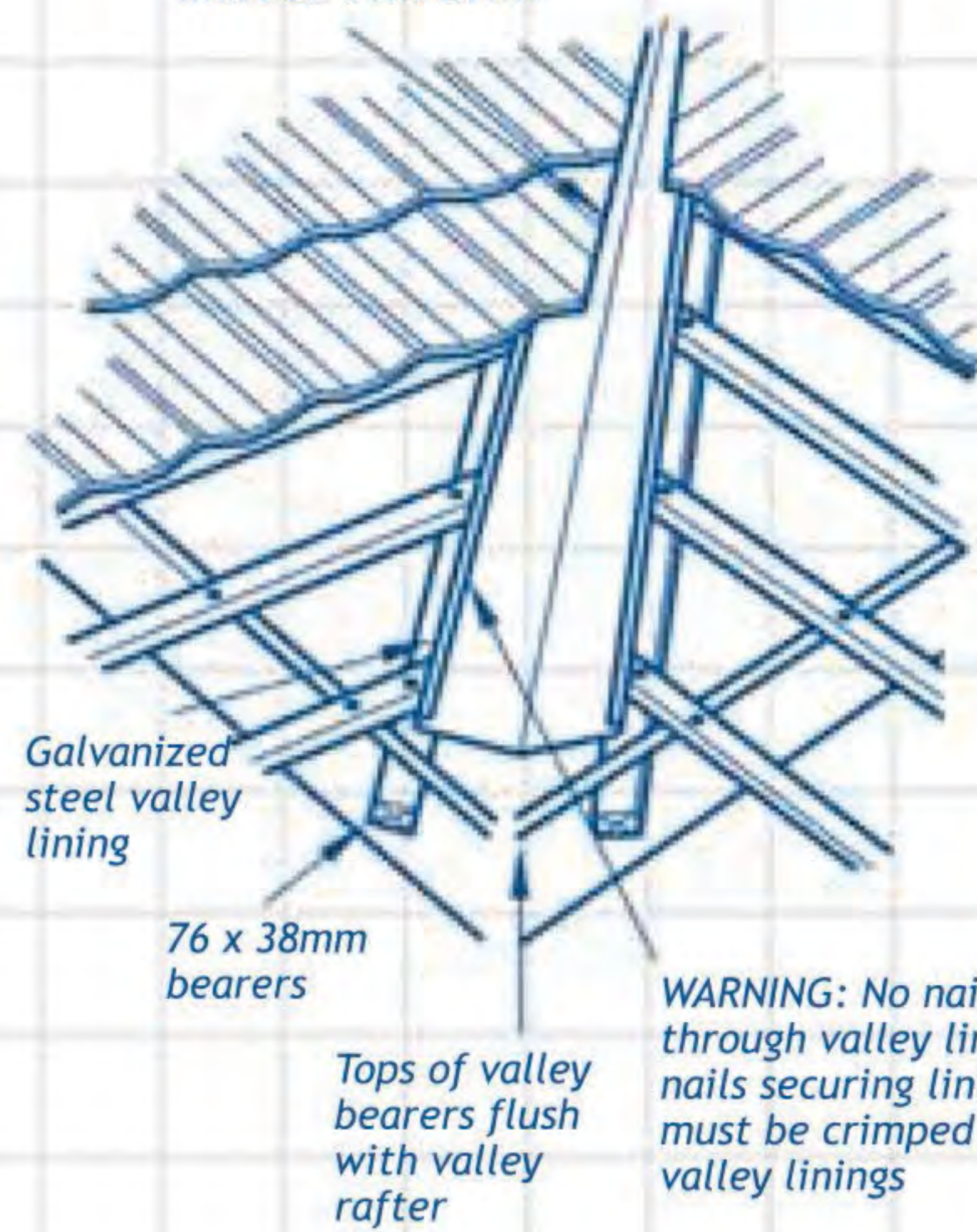
Angle Grinder: This is the most common method of cutting tiles.

Tin Snips: Ideal for cutting shorter lengths such as detailing at junctions.

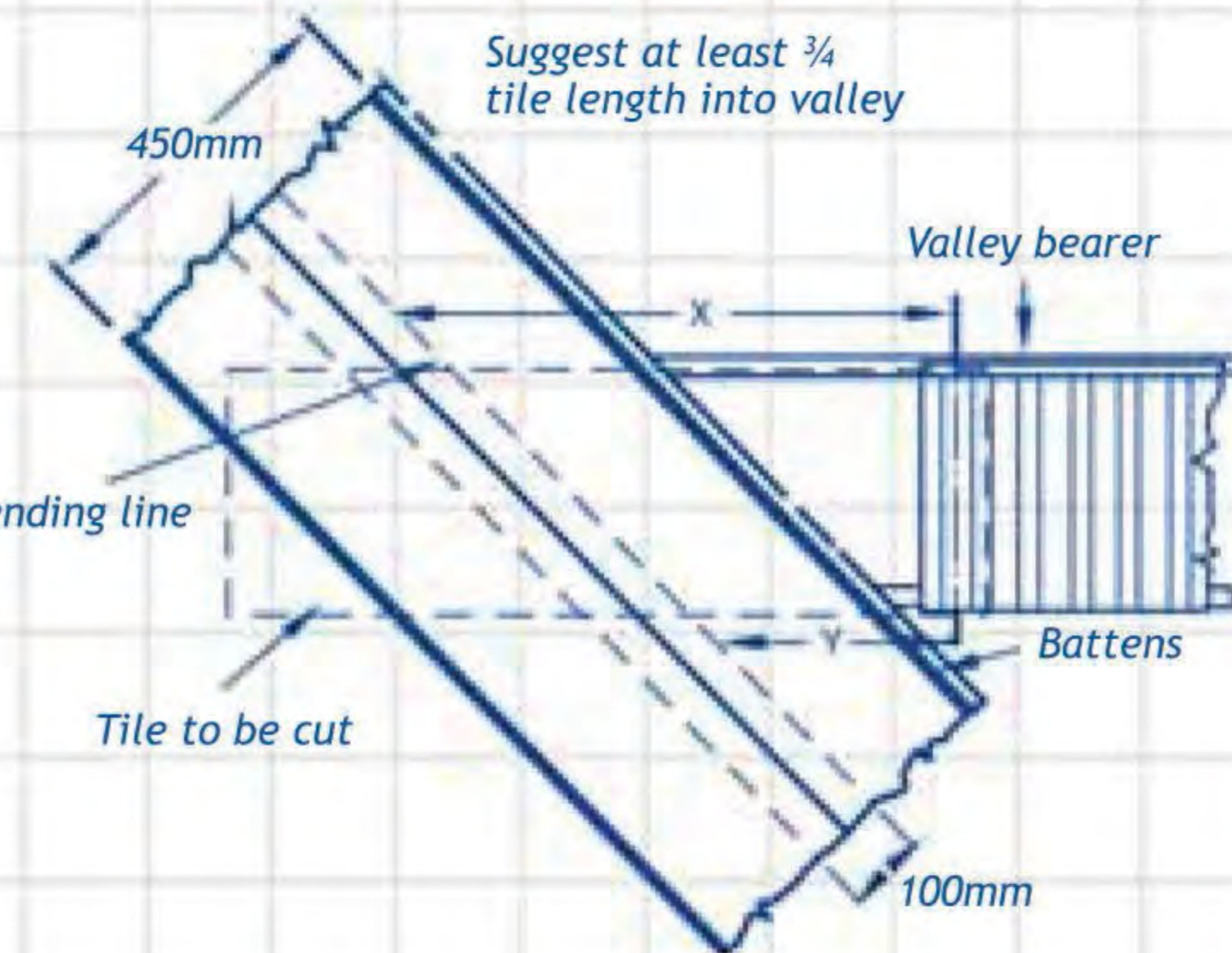
Full tile benders: Are available for bending tiles.



The tiles may be butted together to form a closed valley or 50mm wide minimum open valley may be formed, cut edges of tiles must be bent down



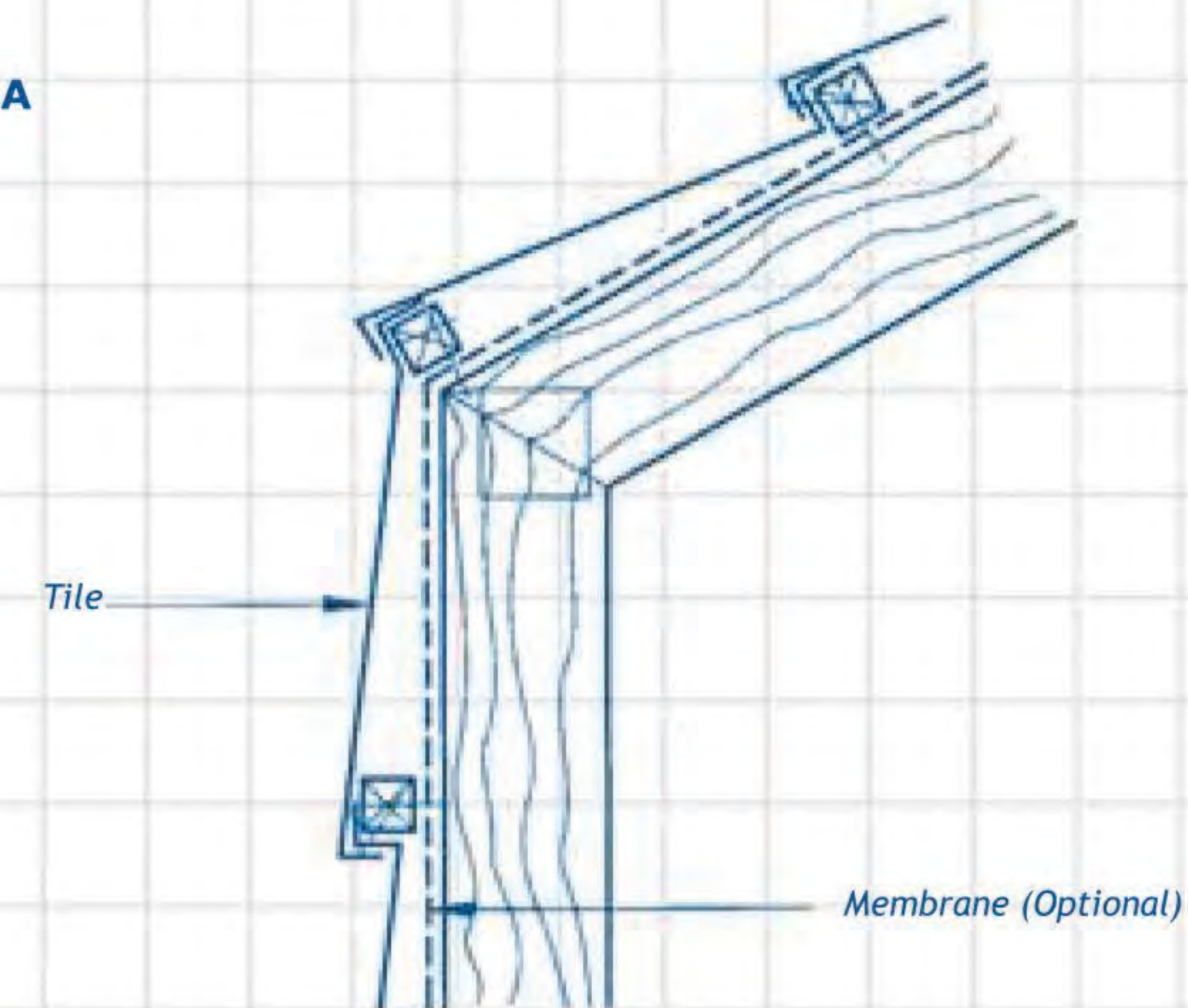
WARNING: No nailing through valley lining - nails securing lining must be crimped over valley linings



To measure X and Y (Bending Line)
 1. Strike chalk line 50mm on either side of centre line of valley lining
 2. Measure from last flute of last complete tile to this chalk line to obtain X and Y dimensions

Batten Spacing Measured According To Tile Profile Used

Type A



Type B

